

MODEL : NV-210 [Needle Valve]

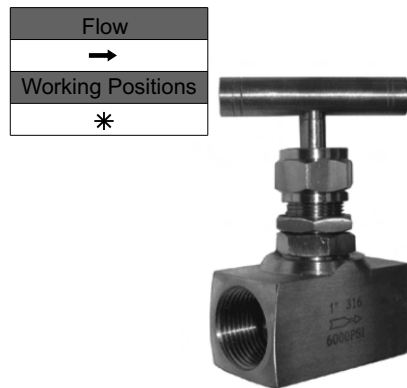
Connection : Screw BSPT, NPT



VTV VALVE, serving Multi-National end users in a wide range of applications in many industries including:

1. Palm Oil and Refinery Plant
2. Petrochemical
3. Food Industries
4. General Industries

- ◆ Suitable for : 1. Water
- 2. Oil
- 3. Gases
- 4. Non-abrasive media

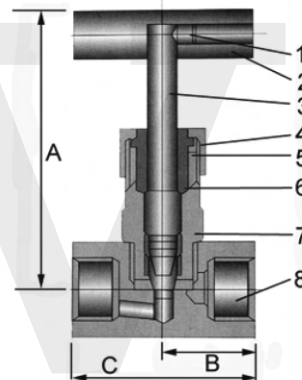


◆ SPECIFICATIONS

- End Connections: NPT threaded, ASME B1.20.1
- DIN 2999 & BS21; ISO 228/1 & ISO 7/1
- Operating Temperature Range: -60 to 450°F
- Fire Safe design

◆ MATERIAL LIST

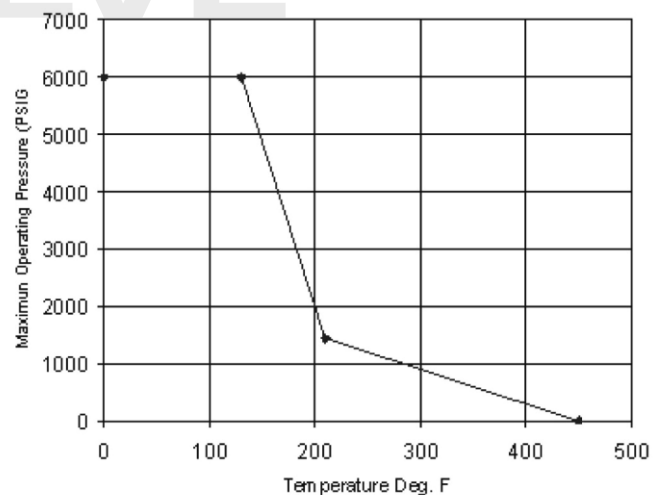
NO	PART NAME	MATERIAL
1	SET SCREW	SS304
2	HANDLE	SS304
3	STEM	SS316
4	GLAND NUT	SS304
5	GLAND NUT	SS304
6	PACKING	TEFLON
7	BONNET	SS316
8	BODY	SS316



◆ DIMENSIONS (mm)

SIZE	1/8"	1/4"	3/8"	1/2"	3/4"	1"
A	75	75	75	87	90	103
B	25	25	25	30	32.5	40
C	50	50	50	60	65	80
Cv	0.43	0.43	0.74	1.36	2.64	3.6

Maximum Operating Pressure -Temperature Data
1/8" to 1" Needle Valve Model: VND1



Specification is subject to change without prior notice