

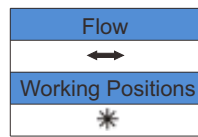
MODEL : GBV-201 [DIN Globe Valve]



Connection : Flange PN 16, PN 40

DESCRIPTION

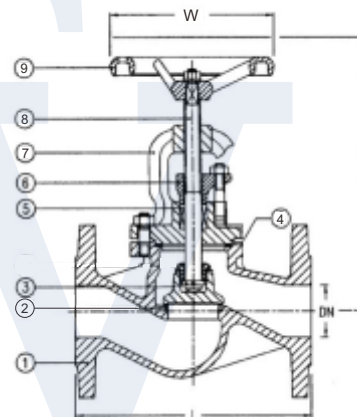
Design : DIN 3356
 Face to face : DIN 3202
 Flanges : DIN 2501
 DIN 2547
 DIN 2526 FORM E
 BW TO DIN 3239
 Testing : DIN 3352
 DIN 3230
 Rating P - T : DIN 2401
 Suitable Medium : W.O.G



MATERIAL LIST

No.	Parts	PN 16 Rating	PN 40 Rating
1	*Body	Cast Iron EN-GJL-250	GSC-25
2	*Seat Ring	Stainless Steel X20Cr13	Stainless Steel X20Cr13
3	*Disc	Stainless Steel X20Cr13	Stainless Steel X20Cr13
4	Gasket	Graphite - CrNiSt	Graphite - CrNiSt
5	Packing	Graphite	Graphite
6	*Gland	Cast Iron EN-GJL-250	GSC-25
7	*Bonnet	Cast Iron EN-GJL-250	GSC-25
8	*Stem	Stainless Steel X20Cr13	GSC-25
9	Handwheel	Cast Iron EN-GJL-250	Cast Steel GP240GH

*Optional : SS304 | SS316



DIMENSIONS (mm)

SIZE	L	H	W		WEIGHT (Kg)		
			PN16	25	PN40	PN16	PN25
15	130	191	120	140	3.7	4.3	4.3
20	150	191	120	140	4.4	4.8	4.8
25	160	197	140	140	5.1	6.3	6.3
32	180	200	140	160	7.5	7.8	7.8
40	200	218	160	180	8.8	10.3	10.3
50	230	220	180	180	12.2	12.6	12.6
65	290	238	180	200	16.1	19	19
80	310	257	200	250	21.4	25	25
100	350	340	250	300	33	35	35
125	400	360	300	350	51	56	56
150	480	390	300	350	69	74	74
200	600	530	400	450	105	144	160
250	730	665	520	520	180	238	260
300	850	720	520	520	265	339	370

Specification is subject to change without prior notice