

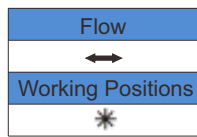
MODEL : BV-201 [Two Piece Body Ball Valve Full Port]



Connection : Flange JIS10K

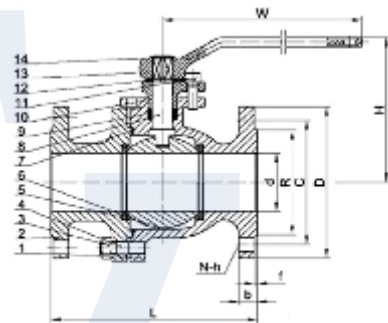
◆ MAIN PARAMETER SPECIFICATION

- Design and Manufacture : ANSI B16.1
- Face to Face : JIS B2002
DN 15-100 (6)
DN 125-200 (39)
- End Flange Dimensions : JIS B2212
- Working Pressure : 10K
- Pressure test : JIS B2003
- Actuator Mounting Pad : ISO 5211



◆ MATERIAL LIST

No.	Part Name	Material			
1	Body	ASTM A216-WCB	**FC200	SS304	SS316
2	Bonnet	ASTM A216-WCB	FC200	SS304	SS316
3	Nut	CS	CS	SS304	SS316
4	Bolt	CS	CS	SS304	SS316
5	Ball	SS304	SS304	SS304	SS316
6	*Seat	PTFE	PTFE	PTFE	PTFE
7	Gasket	PTFE	PTFE	PTFE	PTFE
8	Stern	SS304	SS304	SS304	SS316
9	Stern Packing	PTFE	PTFE	PTFE	PTFE
10	Gland Flange	ASTM A216-WCB	FC200	SS304	SS316
11	Gland Bolt	ASTM A216-WCB	FC200	SS304	SS316
12	Stop Collar	ASTM A216-WCB	FC200	SS304	SS316
13	Lever	FC200	FC200	FC400	FC400
14	Cirelip	CS	CS	WCB	SS316



**Please Consult with manufacture for application

*OPTION :

- PEEK
- 15% Glass PTFE
- 25% Carbon Full PTFE
- TFM 1600
- With Mounting Pad



◆ DIMENSIONS (mm)

DN	15	20	25	32	40	50	65	80	100	125	*150	*200	250
d	15	20	25	32	40	50	65	80	100	125	150	200	250
L	108	117	127	140	165	178	190	203	229	356	277 (394)	340 (457)	533
H	78	113	107	113	130	146	176	222	222	250	275	-	-
W	130	160	160	160	250	250	350	350	400	600	600	-	-
D	95	100	125	135	140	155	175	185	210	250	280	330	400
C	70	75	90	100	105	120	140	150	175	210	240	290	355
R	52	58	70	80	85	100	120	130	155	185	215	265	325
b	14	16	16	18	18	20	22	22	24	24	26	26	30
N-h	4-ø15	4-ø15	4-ø19	4-ø19	4-ø19	4-ø19	4-ø19	8-ø19	8-ø19	8-ø23	8-ø23	12-ø23	12-ø25
f	1	1	1	2	2	2	2	2	2	2	2	2	2
ø	42	42	42	50	50	70	102	102	102	125	140	165	165
4-m	M5	M5	M5	M6	M6	M8	M10	M10	M10	M12	M16	ø20	ø20
Weight	3	3.5	5	6.2	7.5	10.5	14.5	18.5	26.5	38.5	57.5	93.5	147.5

Specification is subject to change without prior notice